

Hinged Patella Stabilizer

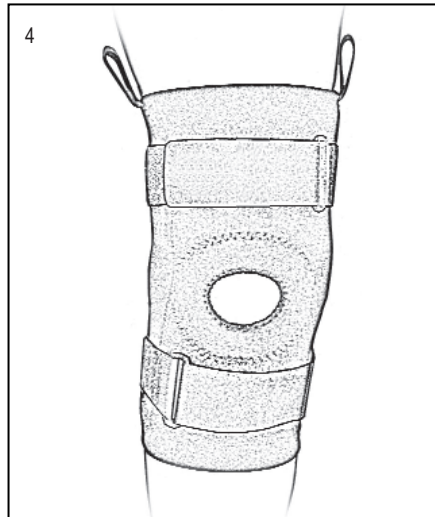
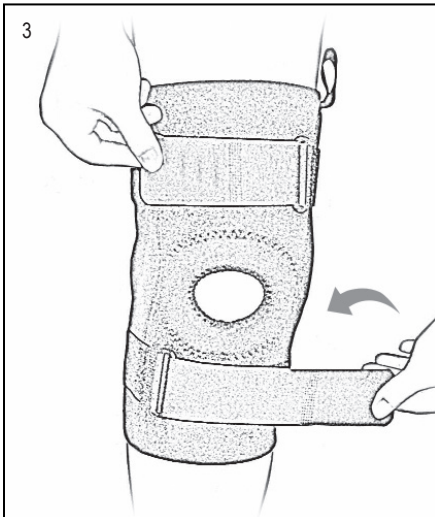
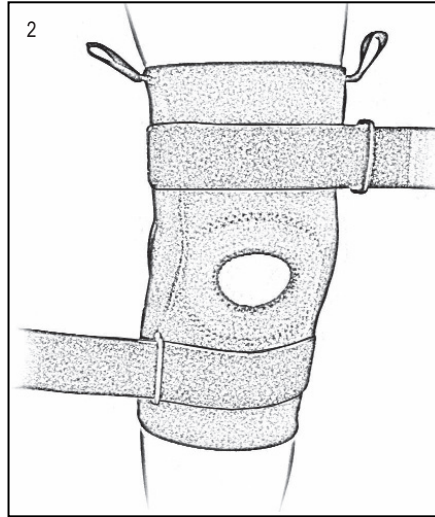
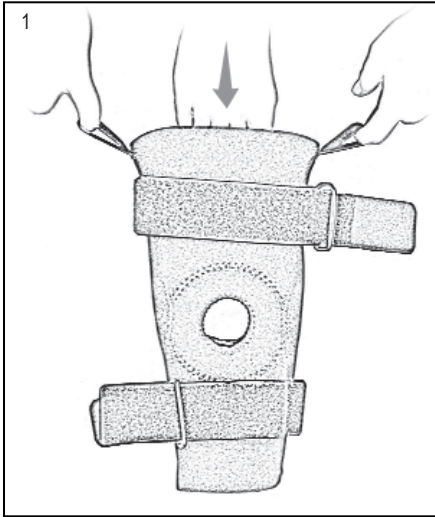
3630H
F3630H
3630ROM
5653

Warnings and Instructions: Review carefully, proper application is required

⚠ Warning: This device will not prevent or eliminate risk of injury. Do Not Overtighten. If swelling, pain, skin irritation, or an unusual reaction occurs, discontinue use immediately and consult your medical professional.

This device should not be worn by persons with known allergies to neoprene.

Care: Hand wash using mild soap. Rinse thoroughly. Air dry only. Do not tumble dry.



Hinged Patella Stabilizer

3630H
F3630H
3630ROM
5653

Warnings and Instructions: Review carefully, proper application is required

⚠ Warning: This device will not prevent or eliminate risk of injury. Do Not Overtighten. If swelling, pain, skin irritation, or an unusual reaction occurs, discontinue use immediately and consult your medical professional.

This device should not be worn by persons with known allergies to neoprene.

Care: Hand wash using mild soap. Rinse thoroughly. Air dry only. Do not tumble dry.

